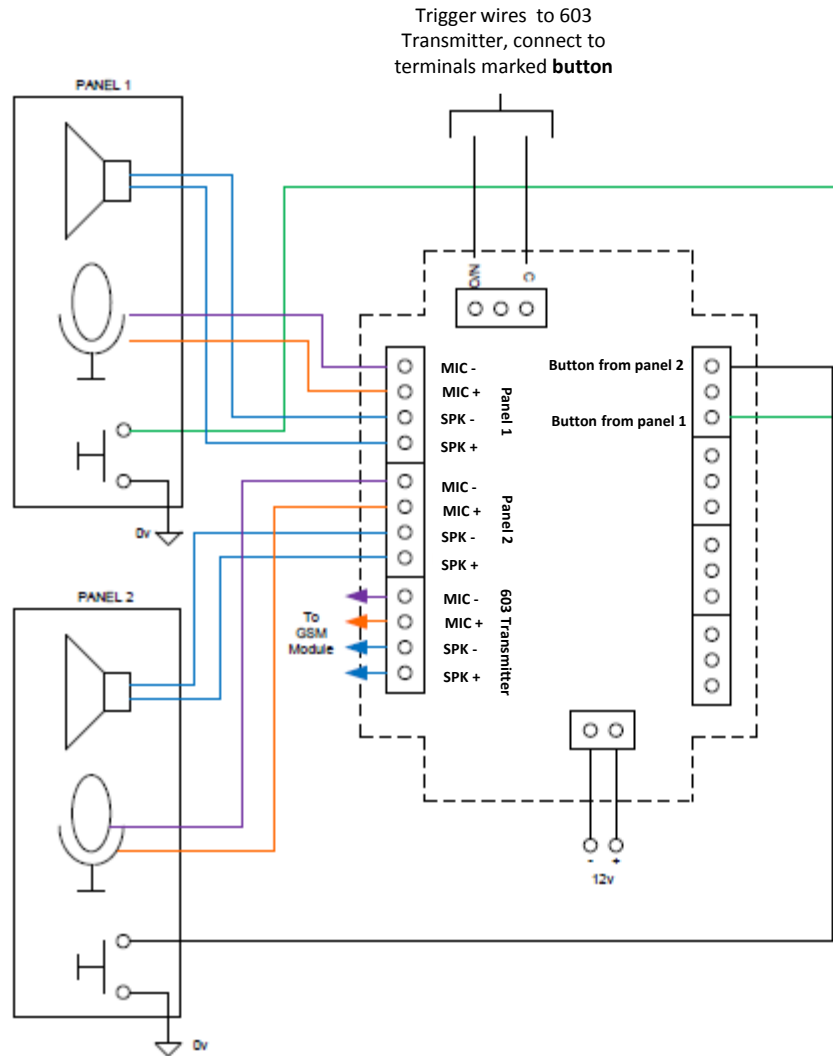


Multiplexer, for multiple call points sharing a single 603 transmitter



Note:  
Use screened CAT5, with the screen connected to 0V, or use coax cable for the microphone connections